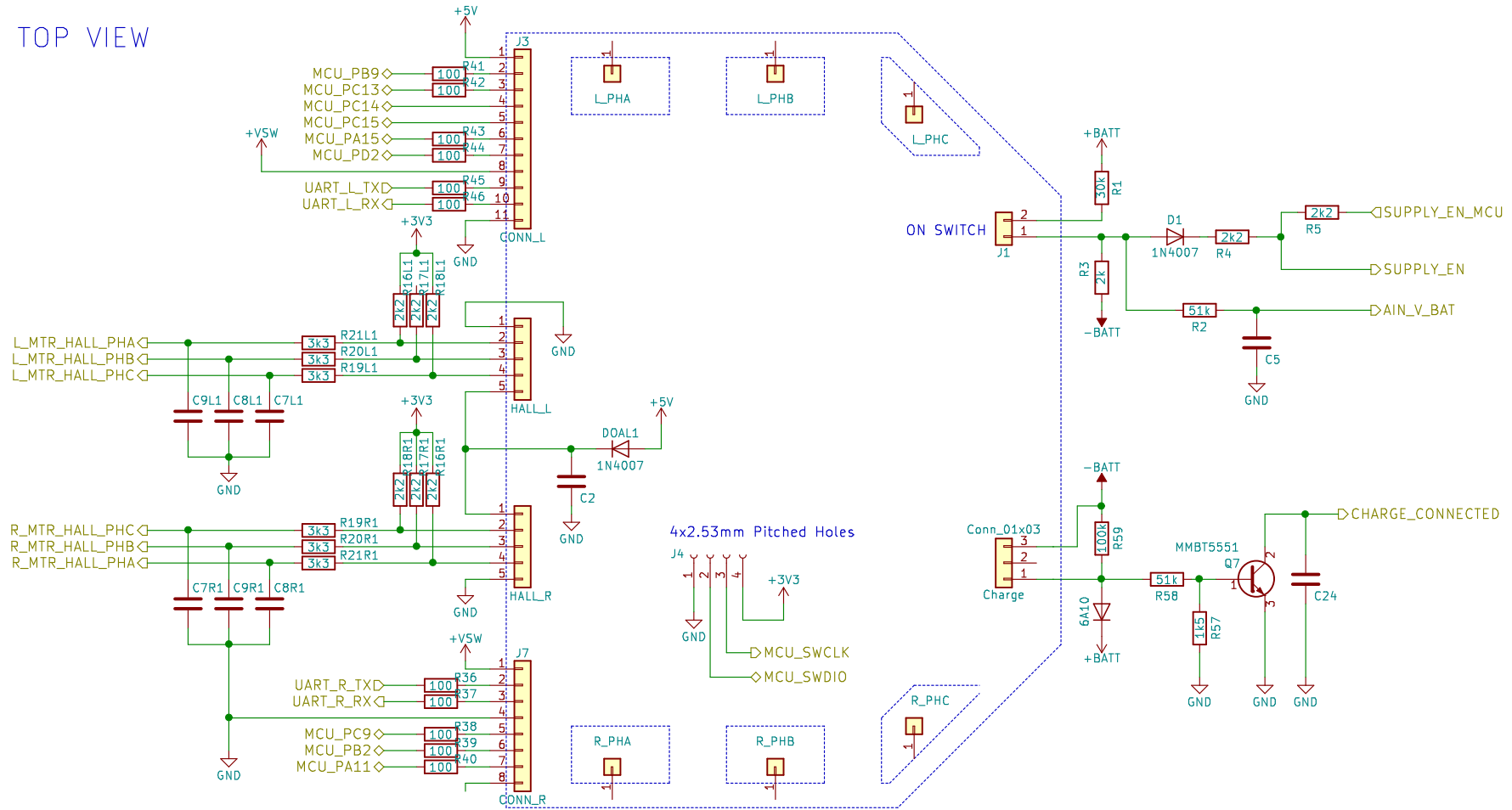


PCB MARKINGS: YST-DXT-J20 V4
 OTHER MARKINGS: YST 2D 94V-0 E333645

NOT FOR COMMERCIAL/PRODUCTION USE

Sheet: /	
File: 20190620_yst_at32_hoverboard_sch.sch	
Title:	
Size: A4	Date:
KiCad E.D.A. kicad 4.0.7	Rev: 1/13

TOP VIEW



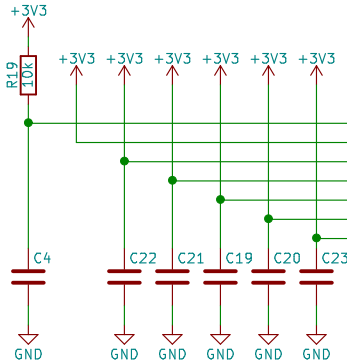
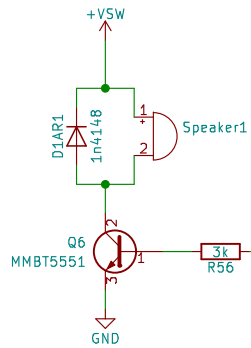
NOT FOR COMMERCIAL/PRODUCTION USE

Sheet: /CONNECTORS/
File: connectors.sch

Title:

Size: A4 Date:
KiCad E.D.A. kicad 4.0.7

Rev:
Id: 10/13



NOT FOR COMMERCIAL/PRODUCTION USE

Sheet: /MCU/
File: MCU.sch

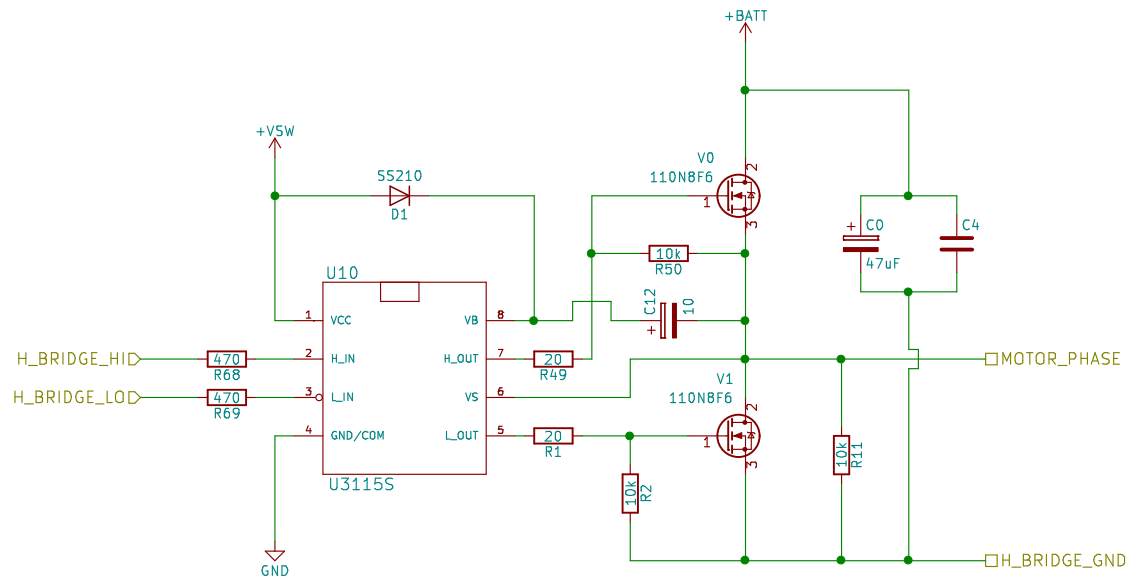
Title:

Size: A4
KiCad E.D.A. kicad 4.0.7

Date:

Rev:

Id: 7/13



NOT FOR COMMERCIAL/PRODCUTION USE

Sheet: /L_MTR_PHB/
File: hh_bridge.sch

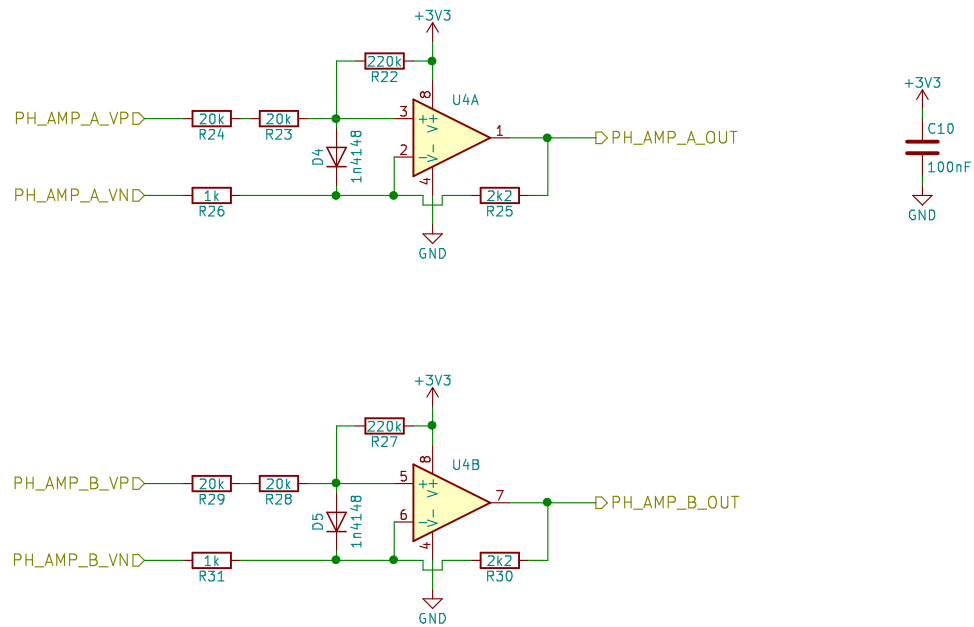
Title: MOTOR_PHASE_H_BRIDGE

Size: A4 Date: 2018-03-27
KiCad E.D.A. kicad 4.0.7

Rev: R01
Id: 13/13

IC PACKAGE HAS MARKING: C32X GCCY.
I COULD NOT FIND THE DATASHEET FOR A DEVICE WITH THIS MARKING
BUT I AM CONFIDENT THIS IS THE CORRECT SCHEMATIC

COMPONENT REFERENCES APPENDED BY (R/L) DEPENDING ON MTR



NOT FOR COMMERCIAL/PRODUCTION USE

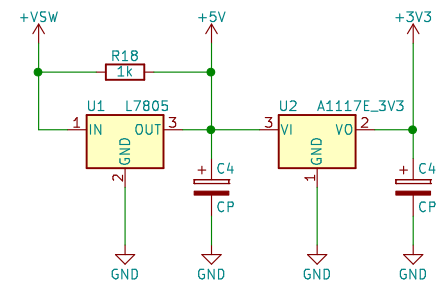
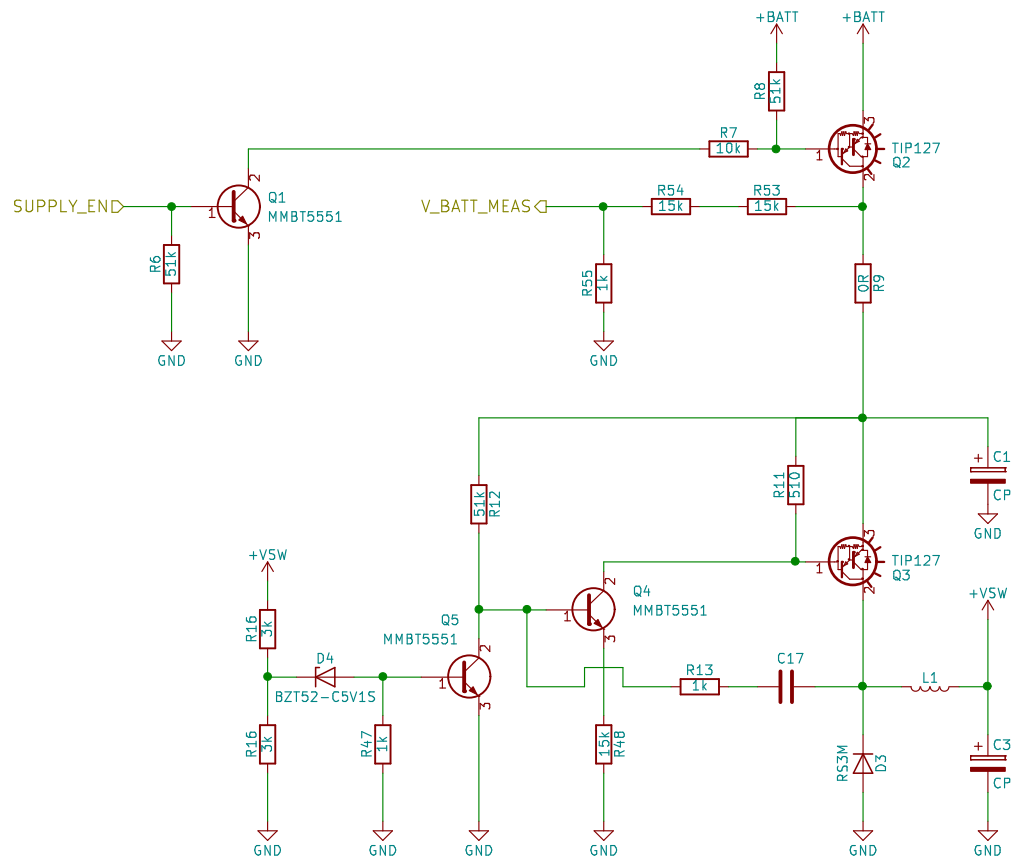
Sheet: /L_MTR_PH_SENSE/
File: phase_sense.sch

Title:

Size: A4
KiCad E.D.A. kicad 4.0.7

Date:

Rev:
Id: 8/13



NOT FOR COMMERCIAL/PRODUCTION USE

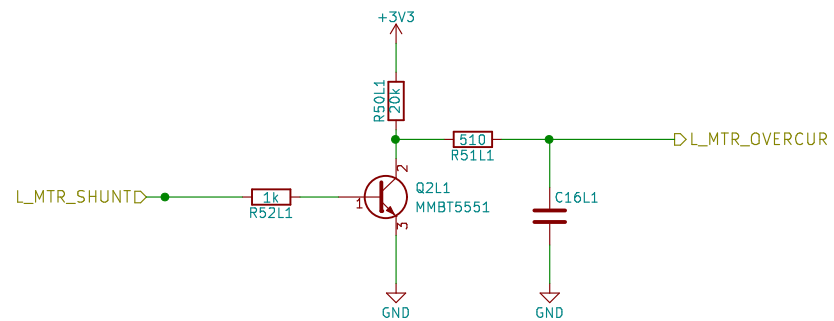
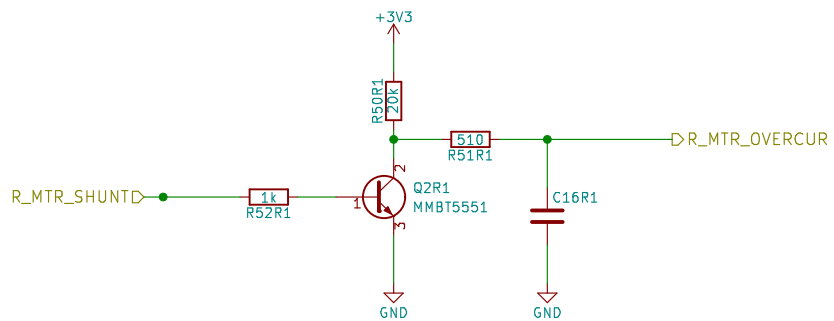
Sheet: /SUPPLIES/
File: supplies.sch

Title:

Size: A4
KiCad E.D.A. kicad 4.0.7

Date:

Rev:
Id: 11/13



NOT FOR COMMERCIAL/PRODUCTION USE

Sheet: /CURRENT_SENSE/
File: current_sense.sch

Title:

Size: A4

Date:

KiCad E.D.A. kicad 4.0.7

Rev:

Id: 12/13