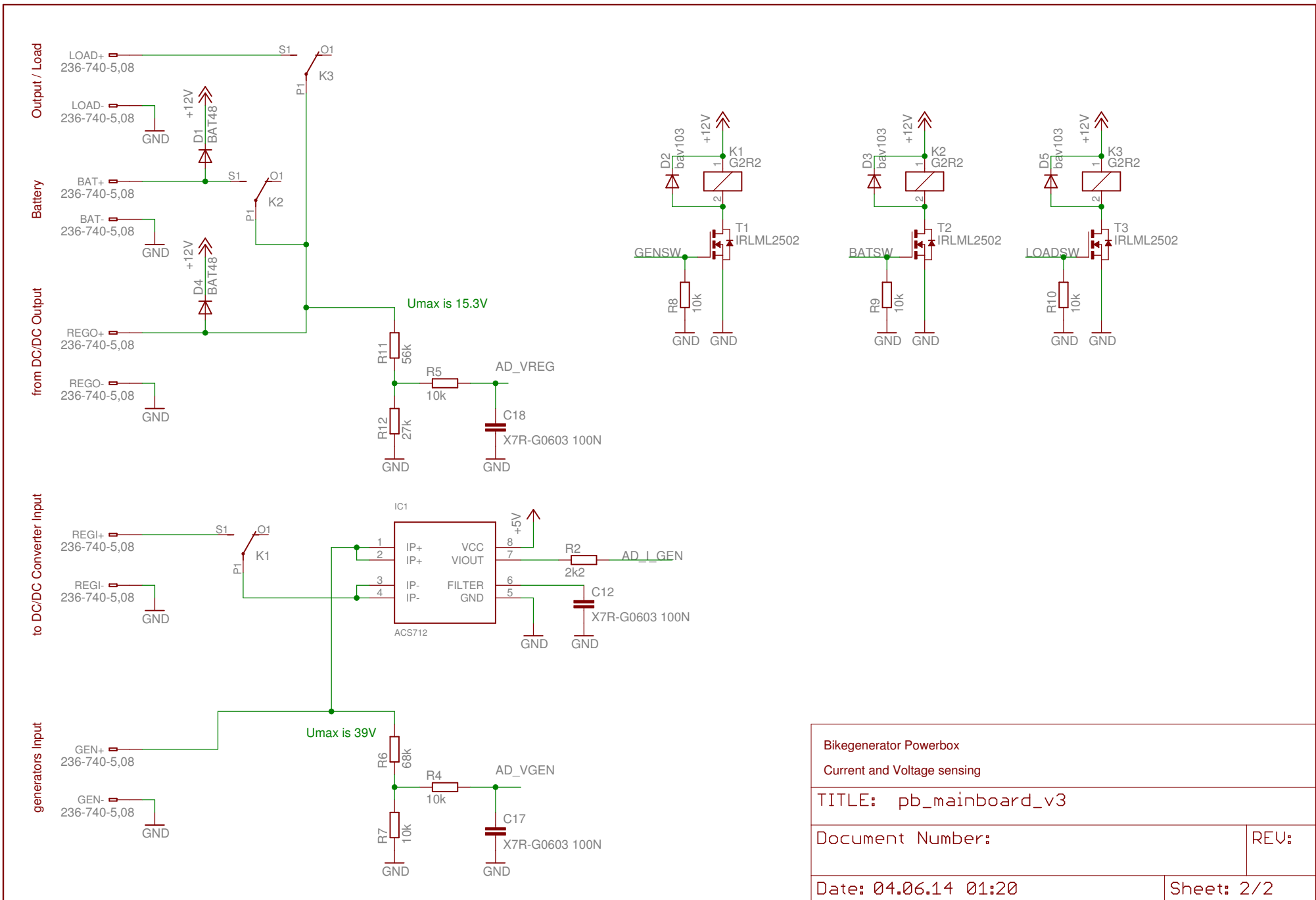


Bikegenerator Powerbox Mainboard	
Lucas Pleß	
TITLE: pb_mainboard_v3	
Document Number:	REU: 2
Date: 04.06.14 01:20	Sheet: 1/2



Bikegenerator Powerbox	
Current and Voltage sensing	
TITLE: pb_mainboard_v3	
Document Number:	REV:
Date: 04.06.14 01:20	Sheet: 2/2